

Assembly instructions for the LONG AS YOU LIKE (LAYL) Channel Grate Joiner Kit

INSTALLATION INSTRUCTIONS

If you have a situation that requires a channel exceeding 1200mm in length a second LAYL channel kit can be purchased and joined using this kit. Additional kits can be used to extend grate to any size.). Please use a Bathroom grade Silicon with a mould inhibitor (such as Selleys Wet Area Silicon, coloured grey or clear to match the Channel) to ensure a successful seal is achieved.

See step 3 for General assembly instructions.

Step 1 - Joiner

- When measuring **Channel** length, ensure that the **Joiner** will not interfere with the positioning of the **Outlet** hole.
- Always join the factory cut ends. For maximum strength and best installation results use Stainless Steel rivets to fasten the Joiner to the **Channel**. For riveting use the holes in the **Joiner** as a template and drill through the **Channel**. Rivets should be fastened from the top side.

Step 2 - Clean Sharp Edges

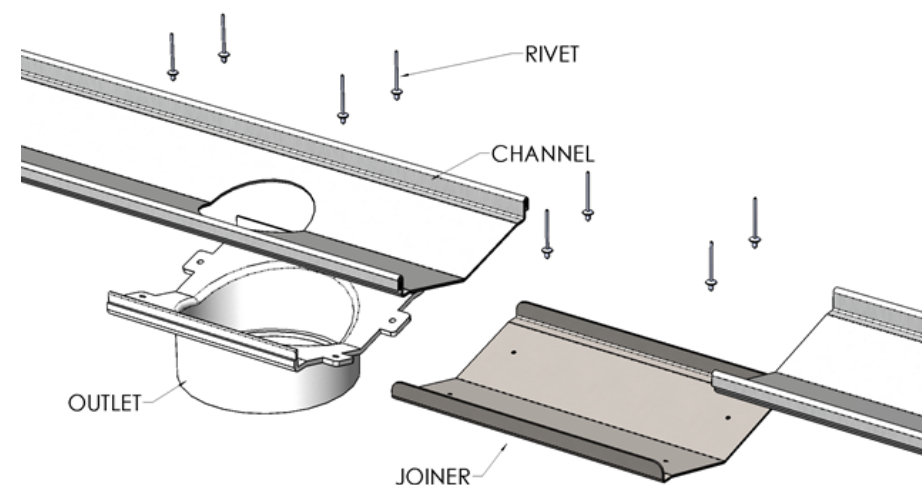
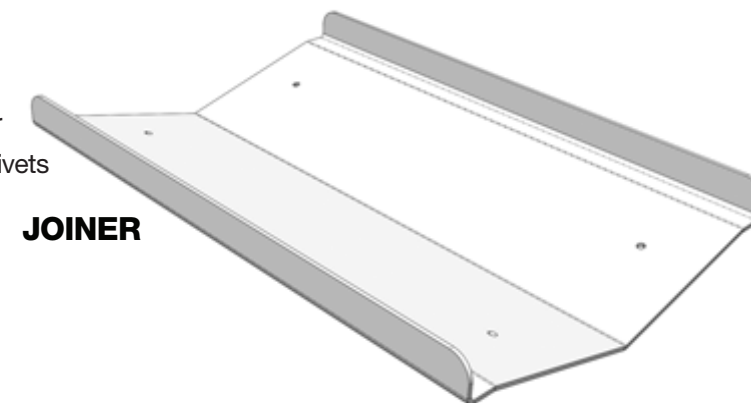
Deburr all cut/sharp edges using the supplied burr stone. Deburr thoroughly to prevent cuts.

Step 3 - Assembly

Use an appropriate Silicon to ensure that a successful seal is achieved between the **Joiner** and the two **Channel** pieces. Rivet as needed. Rivets should be fastened from the top side.

BOM

- 1 x Joiner
- 4x Pop Rivets

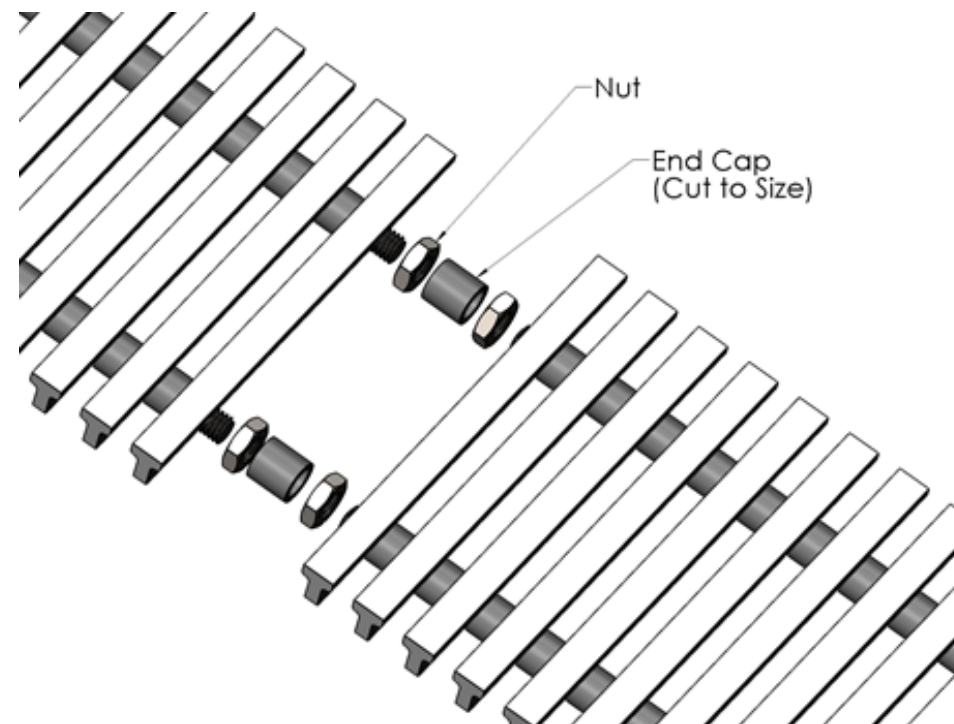


NOTE

Ensure that the grate is positioned in the channel when the channel is being tiled up to. See our Instructional Video www.artaust.com.au

Step 4 - Cut Grate length (If needed)

- Place one assembled **Grate** into the assembled **Channel**. Measure the space needed for the second grate. Remove mounting **Nut** from one end of the second **Grate** and take off **Cross bars** and **Bushes** to this point. Cut **the Threaded Rod** to length. Re-assemble **Cross bars** and **Spacers**. Place the second **Grate** in the **Channel**. The two Grates should be a tight fit in the Channel. Move **Spacers** and **Cross Bars** in both **Grates** so that the gap between the grates is 5mm and the exposed Threaded Rod is even at both ends. Push the **End caps** onto the end of the **Threaded Rod** and cut of any excess.



NOTE

Ensure that the grate is positioned in the channel when the channel is being tiled up to. See our Instructional Video www.artaust.com.au



Installation should always be carried out by a qualified tradesperson.