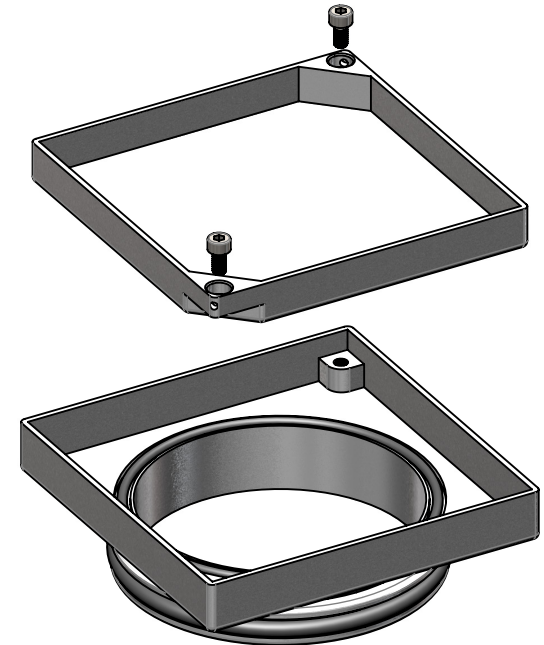
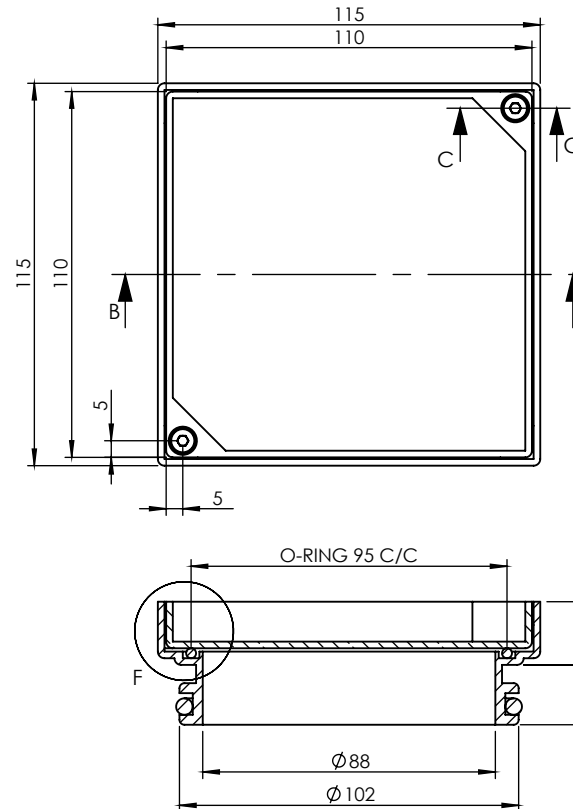


# BERMUDA TILE INSERT CLEAR OUT SQUARE

FLOOR WASTES

- ✓ Constructed from Chrome plated brass
- ✓ Suitable for 100mm DWV Pipe
- ✓ Easy installation with a convenient push in O-ring seal
- ✓ Another concealed O-ring creates a secure, gas tight seal between the tile insert and the clear out body

CODE	OUTLET SIZE	TILE DEPTH	FINISH	CTN QTY
11601.01	100mm	12mm	Chrome	20



**Note:** A 3mm Allen key is required to unlock the Clear Out.