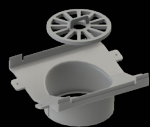


LONG AS YOU LIKE CHANNEL KIT TILE INSERT (LAYL)

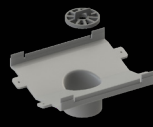
316 STAINLESS STEEL

- ✓ Channel - 316 Marine Grade Stainless Steel
- ✓ Outlet size - suits 100mm
- ✓ Brushed Stainless Steel
- ✓ 80mm and 50mm Outlet options available
- ✓ Fully DIY customizable length and outlet position

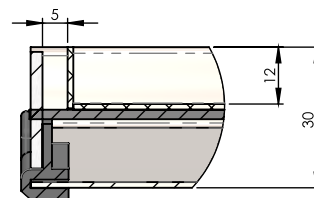
CODE	DESCRIPTION	FINISH	CTN QTY
13903.12	1200mm SS316 LAYL Kit Tile Insert	Brushed SS	4



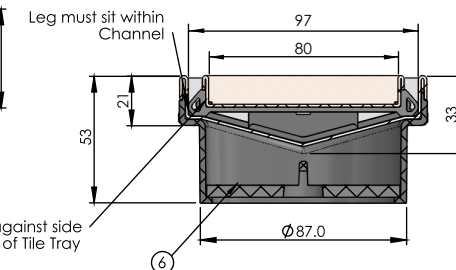
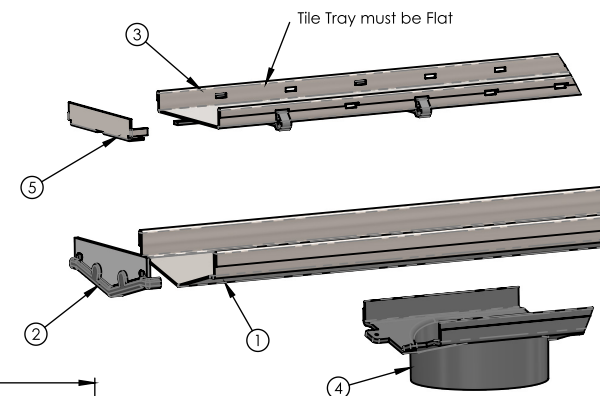
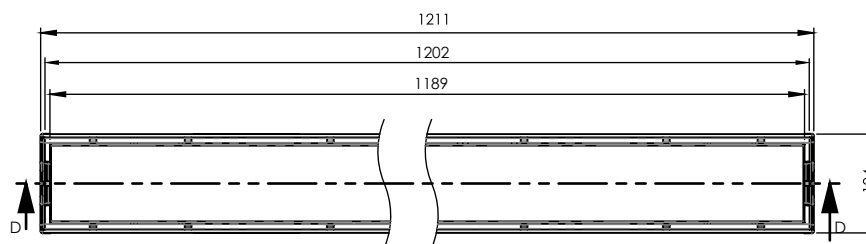
13993



13994



DETAIL E
SCALE 1 : 1



KIT CONTAINS:

- 1 CHANNEL 1205mm
- 2 CHANNEL END CAPS
- 1 TILE TRAY
- 2 TILE TRAY CAPS
- 9 TILE TRAY PLASTIC LEGS
- 1 PLASTIC OUTLET
- 1 PLASTIC STRAINER
- 1 HOLE SAW
- 1 DEBURRING TOOL
- 4 SS POP RIVETS

Leg must sit within Channel
Leg must sit flat against side and bottom of Tile Tray