

100mm SQUARE FLOOR WASTE

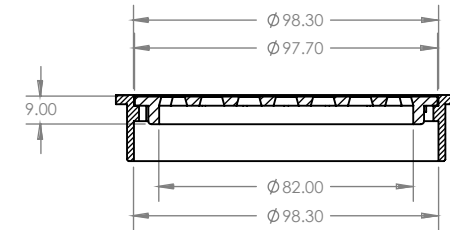
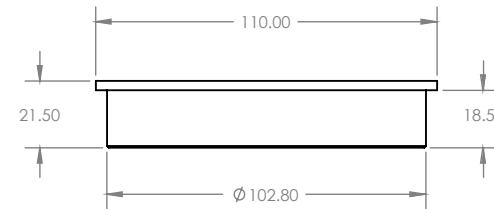
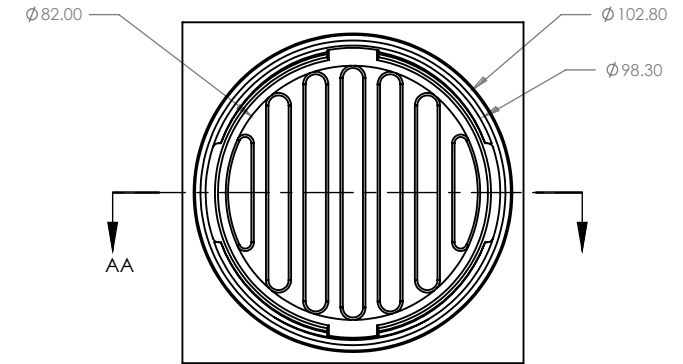
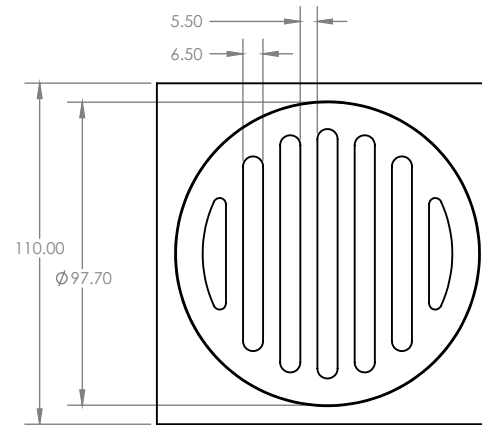
STANDARD FLOOR WASTE

- Short tail
- Solid brass construction

CODE	DIAMETER	OUTLET SIZE	FINISH	CTN QTY
14201.01	110mm	100mm	Chrome	20

This product is tested to deliver a maximum flow rate of 50 litres per minute, with a 5mm head of water and a fall to the waste of no less than 1:80.

Please note that a range of installation variables can effect this flow rate, including aerated shower heads, drainage design, floor texture, etc.



Available Finishes



.01 Chrome



.04 Polished Brass



.06 Brushed Nickel



.23 Brushed Gold



.25 Matt Black



.39 Titanium Grey