

100mm WOVEN ORGANICS

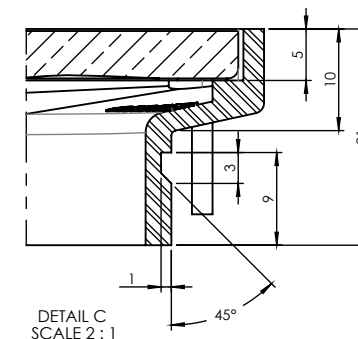
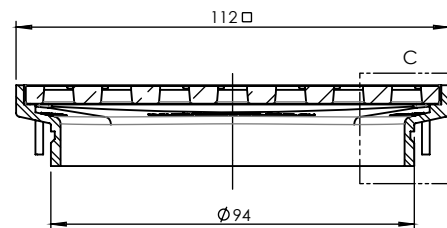
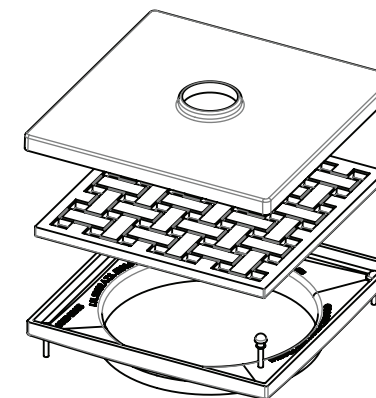
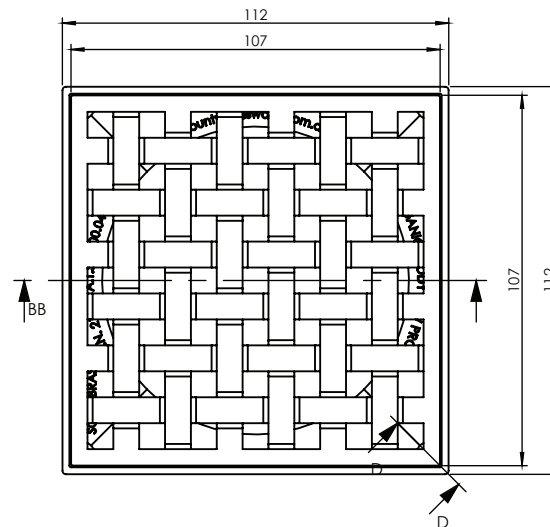
FLOOR WASTES

- ✓ Available in 5 designs
- ✓ Solid cast and forged brass construction
- ✓ Update your floor waste without updating your floor
- ✓ 100mm to 80mm pipe adapter available (code 32244)



32244

CODE	OUTLET SIZE	FINISH	CTN QTY
16210.01	100mm	Chrome	24



Available Finishes



.01 Chrome



.04 Polished Brass



.06 Brushed Nickel



.23 Brushed Gold



.25 Matt Black