

100mm WOVEN 45 ORGANICS

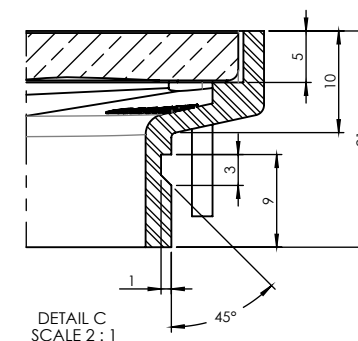
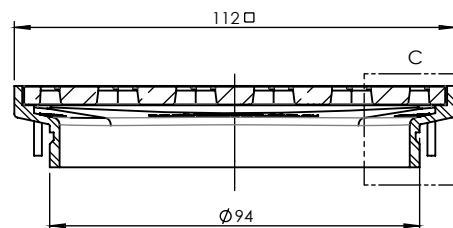
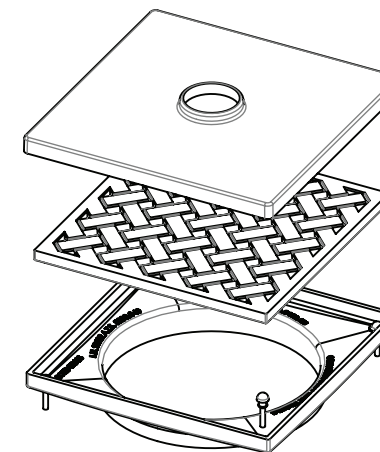
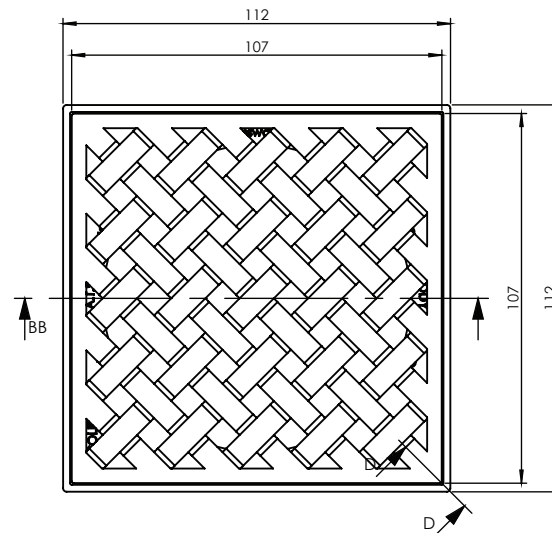
FLOOR WASTES

- ✓ Available in 5 designs
- ✓ Solid cast and forged brass construction
- ✓ Update your floor waste without updating your floor
- ✓ 100mm to 80mm pipe adapter available (code 32244)



32244

| CODE | OUTLET SIZE | FINISH | CTN QTY |
|----------|-------------|--------|---------|
| 16220.01 | 100mm | Chrome | 24 |



Available Finishes



.01 Chrome



.04 Polished Brass



.06 Brushed Nickel



.23 Brushed Gold



.25 Matt Black