

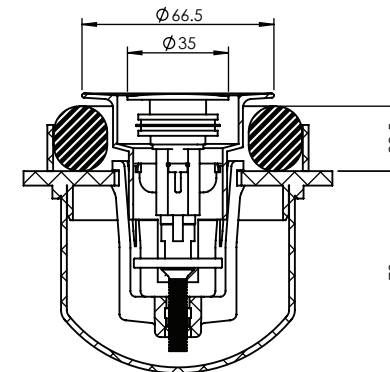
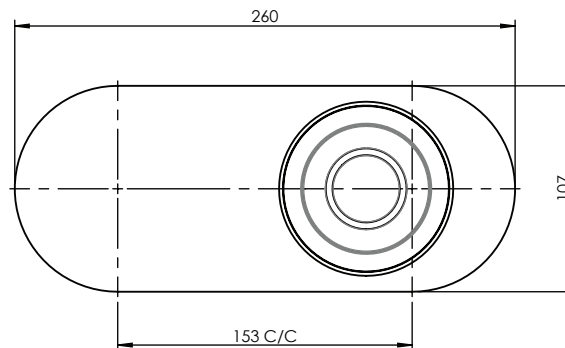


POP DOWN® “BATHDINGER”

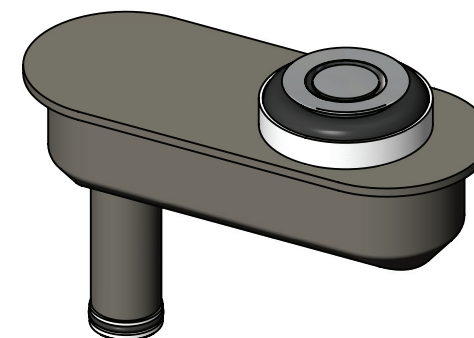
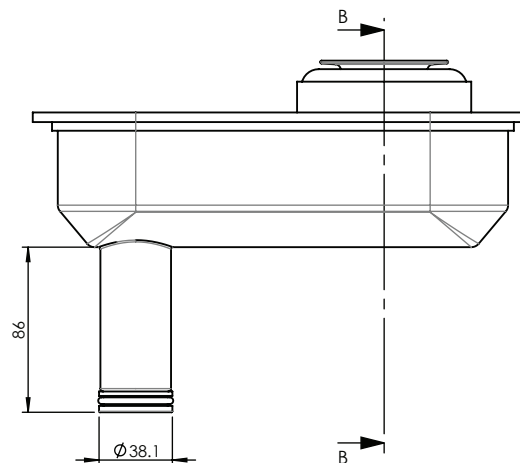
PLUG & WASTES

- ✓ 360 Degree rotation allows for building alignment issues
- ✓ Up to 150mm offset from the bath waste location and the drainage in floor
- ✓ Allows Inset bath to be installed after tiling with ease
- ✓ Pop Down® waste with lifetime warranty on the cartridge

CODE	OUTLET SIZE	FINISH	CTN QTY
21841.01	40mm	Chrome	20



SCALE 1 : 2



Available Finishes

