

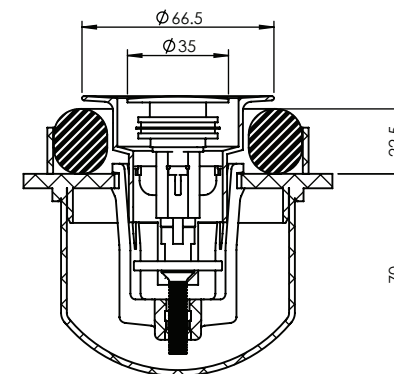
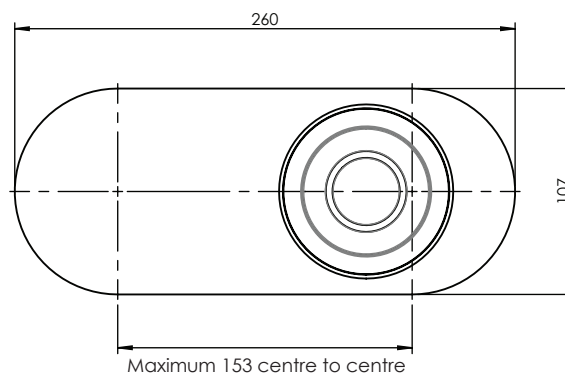


# POP DOWN® "BATHDINGER" 316 S/STEEL

PLUG & WASTES

- ✓ 360 Degree rotation allows for building alignment issues
- ✓ Up to 150mm offset from the bath waste location and the drainage in floor
- ✓ Allows Inset bath to be installed after tiling with ease
- ✓ Pop Down® waste with lifetime warranty on the cartridge
- ✓ World Wide Patents Granted or Pending
- ✓ Marine Grade Stainless Steel suited to Health or Aged Care Settings

CODE	OUTLET SIZE	FINISH	CTN QTY
21854.12	40mm	S/Steel	20



SCALE 1 : 2

